

The President's Corner

Welcome to mine and many others favorite time of the year...Dayton Hamvention. As some have said, if you have never experienced it you truly will never understand why we get excited. For me the last ten years being an ambassador for many radio manufacturers and "face" of GigaParts and seeing everyone. Now with that chapter of my life ending last year this will honestly be different. Now I get to see everything from the booths in all the buildings, forums and for those who know... finally enjoy the pork chop sandwich. Well did I really leave the "Booth Life"; nope I am in the INDEXA booth with my fellow Directors showing why we support DXpeditions and Humanitarian projects all at the same time. I would say the May 23rd HARC Meeting will be "Hamvention Review" night for sure.

As this will be my last month, the last two years as your Club President has truly been fun and of all the Clubs and Organizations, HARC is the most energetic for sure. With all the organizations I belong, trust me that we have all walks of experience from the "I know nothing" to my favorite of all "I am an Engineer" and no questions will ever go unanswered face to face or via email. No matter where you personally fall into the level of experience above, know that we appreciate everything you do for the Club even if that is being an occasional visitor.

So now the summertime event is very close now, Field Day. Wherever HARC is setting up now is time to invite family/friends and even that neighbor that wonders about what you do and show them. The GOTA (Get On The Air) Station is setup for them and give it a try. Best part we have a great "Coach" in that station to ensure the first-time operator can make that first time contact with someone in the United States or perhaps a DX contact. What I would like to see happen is the membership to "Elmer" these newly licensed operators to come out and give it a try. Need a list of new members or recently licensed operators? We can gather that for you thru a few sources. Cannot forget our long-standing members; if you come out for an hour it is



Table of Contents

HARC Meeting Minutes	3-5
HAYLARC Happenings	6
ARES Monthly Meeting Minutes	7
For Sale	8-9
General Announcements	10
Project Idea	11
Program & Project Managers	11
Exam Info (UPDATED June 2024)	12

The President's Corner—continued

better than nothing at all. Those contacts may even put the bug back into getting on the air. We have many weekly meeting members that have not been on a radio as I always say "Since Moby Dick was a Minnow"; lets fix that.

I close this out with "THANK YOU" for being the most active amateur radio club in Northern Alabama. We have "stole" people from every county around us somehow and lets continue. Most I have spoken to have stated the activity is better than where their QTH is. I cannot agree more with those statements and strive for the next leadership team keeps that going.

73,

Steve KI4KWR

HARC President

The Huntsville Amateur Radio Club[®]

Club Officers & Info

Steve Molo	KI4KWR	President	president@harc.net
Billy Gold	KM4BGF	Vice President	KM4BGF@gmail.com
Jessica Molo	KN4JJA	Secretary	
Lisa Shier	N3WQL	Treasurer	treasurer@harc.net
John Morgan	N4CNY	Officer at-large	morganjohn@juno.com
Mark Brown	N4BCD	Officer at-large	mark.n4bcd@yahoo.com
Tim Huffaker	KM4ESU	Officer at-large	thuffaker1@gmail.com

Meeting location: Online via Zoom. <https://us02web.zoom.us/j/6588519706?pwd=Z2VxVGJ0SCsvN2NTSFJ5TE5BVklRdz09>

Meeting time: Every Friday, 7:30 PM (except on major holidays)

Mailing address: HARC, PO Box 2196, Huntsville, AL 35804

Visitors welcome at all meetings.

Club website: www.harc.net

Club callsign: K4BFT (<http://www.qrz.com/db/K4BFT>)

Mail reflector signup: follow the link below the HARC logo on the home page

Meeting Minutes— by Jessica KN4JJA

April 4, 2025

Meeting started promptly at 7:30 pm by president, Steve, KI4KWR. In attendance were 34 people in person and 8 on Zoom. There were 3 visitors.

Announcements:

Tom Cash is giving tonight's presentation on "EMP-Are you prepared for that 'All else has failed' Event?"

On April 11th, we will be having a presentation by NARPNet by Mike W4MRP about preparedness.

Upcoming Events:

Technician class starts May 6th and the new General Class is coming soon!

Upcoming contests:

ARRL Rookie Roundup-Phone is on April 13th

Committee Reports:

Leigh and Jack are working with Leidos to obtain the empty field next to their site.

Lynda and the nominating committee have begun their scouting.

New Business:

This month's door prize winner was David Oakley.

New Memberships:

There have been 14 new members voted in this year so far. No new members were voted on tonight.

Meeting was adjourned at 7:50pm

April 11, 2025

Meeting started promptly at 7:30 pm by president, KI4KWR. In attendance were 34 people in person and 7 on Zoom. There were 6 visitors.

Announcements:

Tonight, HAYLARC is sponsoring a radio programming night.

On April 25th, we will be having a presentation by NARPNet by Mike W4MRP about preparedness.

Upcoming Events:

Technician class starts May 6th and the new General Class starts on May 10th

Meeting Minutes— Continued

Committee Reports:

Leigh WD4CPF and Jack W5WQQ are working other prospects for field day as the location next to Leidos is not available. Any suggestions are greatly appreciated.

Lynda and the nominating committee have begun their scouting.

New Business:

Lisa N3WQL presented the financial report. Motion was moved and seconded and approved.

Mark N4BCD presented the latest on 2025 YOTA that will be held in Denver from June 15th-June 20th. The 2026 YOTA camp will be held in Huntsville and there is a need for 4-6 volunteers to help out. The camp will be held at the Marriott at the Space Center.

New Memberships:

There were four new memberships this evening. They included Cody Black, KN4JFR, Jeremy Batte, KR4CVU, Benjamin Newell, KR5CSC and Philip Taylor, KT4AY. Motion was seconded and approved for all to join.

Meeting was adjourned at 7:55pm

April 18, 2025

Meeting started promptly at 7:30 pm by vice president, Billy Gold

In attendance were 24 people in person and 5 on Zoom. There were no visitors.

Announcements:

This evening's presentation is HARC Field Day video night

On April 25th, we will be having a presentation by NARPNET by Mike W4MRP about preparedness.

Upcoming Events:

Technician class starts May 6th and the new General Class is May 10th!

Upcoming contests:

ARRL International Digital Contest is June 7th-8th. The June VHF contest is June 14th-16th and Field Day this year is June 28th-29th.

Committee Reports:

Leigh and Jack are working with A&M about possibly using a field on their campus since Leido has fallen through.

Lynda and the nominating committee have almost finalized their scouting.

Meeting Minutes— Continued

New Memberships:

New member tonight is Betsy Pfister. Her call sign is KR4CVY. Motion was seconded and unanimously voted.

Meeting was adjourned at 7:49pm

April 25, 2025

Meeting started promptly at 7:30 pm by president, Steve, KI4KWR. In attendance were 29 people in person and 8 on Zoom. There were no visitors.

Announcements:

This evening's presentation is by NARNet by Mike W4MRP about preparedness.

Next week is the elections.

Upcoming Events:

Technician class starts May 6th and the new General Class is May 10th!

Upcoming contests:

ARRL International Digital Contest is June 7th-8th. The June VHF contest is June 14th-16th and Field Day this year is June 28th-29th.

Committee Reports:

Leigh and Jack are working on three possible sites and have made contact in the last couple of days. A decision will be made in the next 7-10 days.

Lynda and the nominating committee have finalized their scouting.

New/Old Business:

We need someone to run net control for the first Monday of the month at 8pm.

Max Freeman has taken a position with ARRL with their Education Department.

Mark Brown updated parking costs at the VBC for Huntsville Hamfest at \$15 per car. The event will provide volunteers with free parking passes.

Billy Gold is scheduling a Fox Hunt and is asking for suggestions for a date.

Tickets for the NADXC dinner are now for sale.

If you have not paid your yearly dues to HARC, please do so now.

New Memberships:

New members tonight are Andrew Wisner, call sign KW4EH and Zachariah Tucker, call sign K4RCYQ. Motion was seconded and unanimously voted for both.

Meeting was adjourned at 7:52pm

HAYLARC Happenings—by Lisa N3WQL

HAYLARC is helping new hams get on the air. We held Program Your Radio Night on April 11 as the HARC program. At this event, H/Ts were programmed with a standard set of local repeaters for both new and old hams. We held a Get On the Air Night on April 29. At this event, we helped new members get on the air for the first time.

HAYLARC will hold our monthly meeting on May 8 at 11:30 AM at Kacey's Home Cooking (10017 Memorial Pkwy SW, Huntsville, AL 35803). We welcome all YLs and prospective YLs to join us.

Get on the Air Night. Kelley Johns W4VPZ, Miki English KQ4YFE, Andrea Weathington KR4CKG, and Laura Morgan K4CNY. *Photo by Lisa N3WQL*



ARES Monthly Meeting Minutes – by Steve KM4CJ

Madison County, Alabama ARES Monthly Meeting Minutes
April 10, 2025

The meeting was conducted at the Madison County EMA
EOC.

There were 15 in attendance.

The meeting started at 18:00 central time.

Tom, WS4M, opened the meeting by welcoming every-
body.

EMA – Chris, AI4U, thanked everyone who participated
in the Siren Test net. It was a great response.

VOAD – Chris announced VOAD has a new president
and is operational.

Steve, KM4CJ, read the minutes from the last meeting
and gave a budget report of \$1298.



Program:

Steve, KM4CJ, gave a presentation on antennas. He discussed the pros and cons of different types of HF
and VHF antennas.

Meeting adjourned 19:00 central time.

Respectfully Submitted

Steve Smith

Assistant Emergency Coordinator

ARES Madison County

For Sale

TSB-2000 This is the version of the TS-2000 that does not have its own control panel. It comes with the Kenwood software so that it can be completely controlled from a Windows PC, a RC-2000 control head, or the control head from a TM-D700. The TSB-2000 covers all bands, 160m - 70cm with the exception of 222.

TSB-2000 with original mike, manual, power cord, USB computer interface, and Signalink USB (for FT8, FT4, MSK144, etc.) that is configured for the TSB-2000----- \$650

Kenwood TM-D700 dual band APRS/Packet 2M/440 transceiver. Does not have original touchtone mike, but does have a working microphone and separation cable. Control head does work with a TSB-2000 and I believe it also can be used to control a regular TS-2000 ---- \$200

Kenwood MC-60 microphone in excellent condition - \$75

mAT-K100 HF-SSB Automatic Antenna Tuner for Kenwood(and maybe ICOM) (the tuner in the TSB-2000 is working, but this is a wider range tuner. Original owner was using it with an end fed) ----- \$110

All of the above as a package \$850. I will not sell the TM-D700 before selling the TS-B2000.

=====

TYT TH-7800 2M/440 transceiver with mike, manual, programming cable, and original box. Radio works fine in all respects, except it must be used with an external speaker (which will be included). Connector could be replaced if the external speaker is a nuisance. ---- \$120

=====

Anytone AT-D878uv Plus (bluetooth and GPS) with full APRS RX and TX. In excellent condition with all original accessories + extra battery. ----- \$220

=====

SPE Expert 1.3K-FA 160M-6M Series 2 Amplifier in excellent + cosmetic and electrical condition, working in every respect. Can demonstrate in shack if needed. ----\$3100

=====

Drake L7 160-10 linear amplifier. Amplifier is in excellent + cosmetic and electrical condition, and working in every respect. Tubes are full output. On-

For Sale—continued

ly flaw with the amplifier is that the Mode/Power switch has been replaced with an mechanically identical switch except it has two white buttons as opposed to one red and one black button (as used on both the L4 & L7 amplifiers. This switch was a common failure on both the L4 & L7 amplifiers. Can demonstrate in shack if needed.----- \$1150

=====

Diamond SD330 Screwdriver antenna (\$399.99 new) in excellent condition with both supplied whips, cable, and TuneMatic Lite Controller (\$149 new). The antenna has spent less than two weeks on a vehicle or outside.-----\$375

=====

TYT MD-9600 in excellent condition. Unit has been loaded with GD77 firmware.\$175

All above by: Craig K4XR 256-836-5672 Brownsboro (in Huntsville city limits)

Yaesu FT-767GX asking \$500 with external speaker and desk microphone. Details from universal radio...The Yaesu FT-767GX is a 100 watt HF transceiver covering 160 to 10 meters amateur bands plus it includes a triple conversion general coverage receiver that tunes from 100 kHz to 30000 kHz. But the story does not end here. The FT-767GX is designed to accept additional, optional band modules for coverage of the key amateur bands above 30 MHz including 6 meters, 2 meters and 70 cm. The FT-767GX even includes a built in HF antenna tuner. Other advanced features include: IF shift, Notch, Electronic Keyer, Squelch, QSK, dual VFOs, Noise Blanker, Attenuator, Passband Tuning and memories



Stephen Ford KJ4Dwx (at) yahoo (dot) com 256-777-0295

General Announcements

For those who are interested in learning CW but need some Elmering, Laura K4CNY has created a GroupMe group that you can use to ask questions and arrange with Elmers for on-the-air practice.

If you are interested in Elmering, we can always use your help!

To join, click here: https://groupme.com/join_group/70112276/7m2J4Tpk

Interested in local POTA activations? Connect here.

<https://groups.io/g/harc-pota/messages>

You can request a subscribe here, or write me here for an invite.

robert.ehresman@gmail.com

Time flies. Days turn to years, years into decades. It's a lot easier to renew your FCC license before it expires. That goes for your XYL too. Ask me how I know.

Handy Bookmarks:

What contests are this weekend? <https://www.contestcalendar.com/contestcal.html>

What DXpeditions are active? <https://dxnews.com/calendar/>

What are the solar conditions? <https://www.qrz.com/>

Huntsville Amateur Radio Club <http://harc.net>

North Alabama DX Club <http://nadxc.org>

Huntsville Area YL Amateur Radio Club <https://haylarc.wordpress.com/>

Madison Co ARES/RACES <https://madisoncountyaema.gov/amateur-radio/>

North Alabama Repeater Association <http://n4hsv.net/>

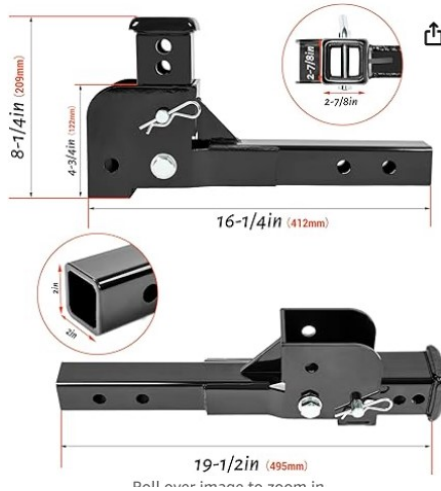
Marshall Space Flight Center Amateur Radio Club <https://www.nn4sa.org/>

Project Idea—by Mark N4BCD

e › Exterior Accessories › Towing Products & Winches › Hitches › Receivers

A few months ago I won a Rohn push-up mast at a HARC auction. A hinged trailer hitch is on order and planning modifications to it to accept the 2 1/4" bottom pipe.

If all goes well, this will be much cheaper than commercial offerings. Stay tuned.



KUAFU 2" Folding Hitch Adapter Compatible with 2 Inch Trailer Hitch Extension Shank Mount Cargo Wheelchair Carrier Adapter 500lbs Weight Capacity

Visit the KUAFU Store

4.2 ★★★★★ 33 ratings | Search this page

50+ bought in past month

\$33⁰⁰

Get Fast, Free Shipping with Amazon Prime

FREE Returns

Get a \$80 Amazon Gift Card instantly upon approval for the Amazon Store Card. No annual fee.

Brand	KUAFU
Vehicle Service Type	Trailer
Material	Alloy Steel
Finish Type	Powder Coated
Manufacturer	Scarman LLC

Program and Project Managers

Madison Co Emergency Coordinator	Tim Holland KK5H
Field Day Chairperson	Tom Cash WS4M
Public Information Officer	Open
K4BFT Club Station Trustee	Laura Morgan K4CNY
Picnic/Food Coordinator	Warren K4MMW & Karen Alford
Training/Education Coordinator	John Morgan N4CNY
VOX Publisher	Mark Brown N4BCD
Program Coordinators	Jessica Molo KN4JJA, Chuck Lewis N4NM, Solomon Bolden KW4GY
Webmaster	Steve Molo KI4KWR
Repeater Program Announcer	Kelley Johns W4VPZ

Important Exam Info (updated June 2024)

The Huntsville testing sessions are conducted the first Saturday of the month unless that weekend contains a holiday. If it does, the second Saturday will be the test date. Please check the HARC.NET website or www.cavec.us to confirm. The testing location is at The Madison County Fire Training Academy Building, 300 Shields Rd, Huntsville, AL 35811. Email: vec@cavec.us

The exam sessions start at 9:00 AM. Please plan to arrive between 8:30 and 9:00 AM.

Exam information and registration can be found at <https://hamstudy.org/sessions/wa2zou/all>

What you need to bring to the exam session:

One legal photo ID (identification)

- a. State Driver's License
- b. Government issued Passport
- c. Military or Law Enforcement Officer Photo ID card
- d. Student School Photo ID card
- e. State Photo ID card

If no photo ID is available, two forms of identification:

- a. Non-photo State ID card (some states still have them)
- b. Birth certificate (must have the appropriate seal)
- c. Social security card
- d. Employer's wage statement or Minor's work permit
- e. School ID card
- f. School or Public Library card
- g. Utility bill, bank statement or other business correspondence that specifically names the person; or a postmarked envelope addressed to the person at his or her current mailing address as it appears on the Form 605.

Students/minors without a photo ID need to bring only one of the above items if a legal guardian presents their photo ID; otherwise two non-photo IDs are required

Any current CSCEs that have not yet shown up in the FCC database:

Exam fee, CASH ONLY, exact amount (if possible): \$5

Exam fee waivers available for students, minors, Active U.S. Military and First Responders

A FCC Registration Number (FRN): Hamstudy will step you through this when you register for one of our exam sessions

<https://www.fcc.gov/wireless/support/knowledge-base/universal-licensing-system-uls-resources/getting-fcc-registration>

Calculators: Non-programmable calculators are allowed. Programmable calculators are NOT ALLOWED unless their memories can be cleared or reset at the exam session site by the testing crew prior to the start of the exam. The decision as to whether a calculator will be allowed to be used rests with the Session Manager and that decision is final. Cell phone/tablet Calculator Apps will not be used.

Notice: The FCC charges a \$35 fee for new applications, renewals and vanity call sign requests as of April 19th 2022. The fees should be paid directly to the FCC within ten days of your application being submitted by the CAVEC. Failure to do so will result in your application being dismissed. CAVEC will have to resubmit your application License. Upgrade applications are not charged the \$35 processing fee by the FCC.

Online Exams are also available and are conducted by the Marshall Spaceflight Center Amateur Radio Club VE team, look for their schedule at <https://hamstudy.org/sessions/nn4sa/all> or email nn4sa@arrl.net to schedule an exam.



- ▶ **RADIOS**
- ▶ **PCS**
- ▶ **GAMING GEAR**
- ▶ **MAKERS**
- ▶ **GADGETS**
- ▶ **PERSONALIZED GEAR**

WANT TO
**SHOP THE
 HOTTEST
 WEEKLY DEALS**

SUBSCRIBE AT:
GIGAPARTS.COM/NEWSLETTER

GigaParts[®]
 Technology Superstore

Shop these and more at GIGAPARTS.COM!

6123 University Drive
 Huntsville, AL 35806

FOLLOW US ON SOCIAL MEDIA
 @gigaparts

