

6 Meters

Tom Russell, N4KG

Tim Winger, KY5R

Jerry Montgomery, K4SAV

6 m DXCC

LZ2CC	238	5B4FL	202
SV1DH	229	DL7AV	201
IK0FTA	226	DL7QY	201
ON4IQ	225	JA4MBM	201
ON4GG	221	SM7FJE	200
PY5CC	213	EH7KW	199
JA1BK	207	I0WTD	199
I0AMU	206	JR2HCB	199
G0JHC	204	JA1VOK	198

Challenge Points/6 m Countries

W4DR	3094/148	W7UT	2967/<100
SP5EWY	3087/177	HA0DU	2962/<100
W1NG	3082/124	K2TQC	2952/<100
OZ1LO	3078/191	N4JJ	2952/100
I4EAT	3077/167	K4DY	2933/111
K5UR	3066/139	JH4IFF	2930/152
N4WW	3058/128	N4CH	2930/124
W9ZR	3053/118	W3UR	2927/<100
W1JR	3049/145	JR3IIR	2921/161
DJ6RX	3042/<100	SM6CVX	2910/<100
K8MFO	3041/150	K9RJ	2906/102
SM0AJU	3040/144	JA2VPO	2905/<100
OZ1BTE	3021/134	PA0CLN	2897/<100
G4BWP	3014/156	K4CIA	2891/<100
G3KMA	2996/126	K5NA	2888/108
DF3CB	2994/158	N4KG	2886/<100
K4PI	2992/122	K4MQG	2881/115

KY5R 6 Meters

NA	NA	EU	EU	EU	EU
6Y5WJ	PJ2BR	9A6R	EH7CD	IK0FTA	S59Z
8P6SH	PJ7TM	9H1BT	EI5FK	IK5YZW	SV1DH
CO8LY	TG9ANF	9H1TX	F5GHP	IS0GQX	ZB2EO
FG5FR	V44KAI	CT1FFU	F6FRP	IT9RZR	
FG5GP	V47KV	CT1HZE	F8DBF	IW0FFK	
FS5HL	VP2M/KB4CRT	DJ2DA	G3FPQ	MU0FAL	
HH4/W3CMP	VP2V/W7XU	DJ7PW	G3ZSS	OK2BGR	
HI3TEJ	VP5/K4ZGB	DL1NEO	G4RGK	OM5KM	
HI8/VE2NSM	VP5/W5SJ	EA3AR	GW3LEW	ON4AXU	
HI8ROX	XE1ZVO	EA7KW	HA3HV	ON4GG	
KP4SQ	XE2OR	ED6AR	HA3UU	PA0CLN	
NP4A	XE3ARV	EH1ASG	HA5IJ/2	PF7M	
	XE3ISS	EH1DDU	HB9QQ	S51IV	
	ZF2BU	EH4CRP	I3CSB	S56P	

KY5R 6 Meters

SA

8R1WD

P4/W1XP

P49MR

PJ2VBU

AF

5T5SN

EA9IB

EB8AHT

EB8CME

EH8BPX

AS

JA0EKF

JA1DOT

JA1FWJ

JA1MVK

JA1PV

JA1RJU

JA1VOK

JA2DDN

JA2FTL

JA3GYT

JA7QVI

AS

JE1BMJ

JE1LET

JF1RYU

JF2VNV

JH1MCX

JK1AFI

JL1IHE

JM1DTF

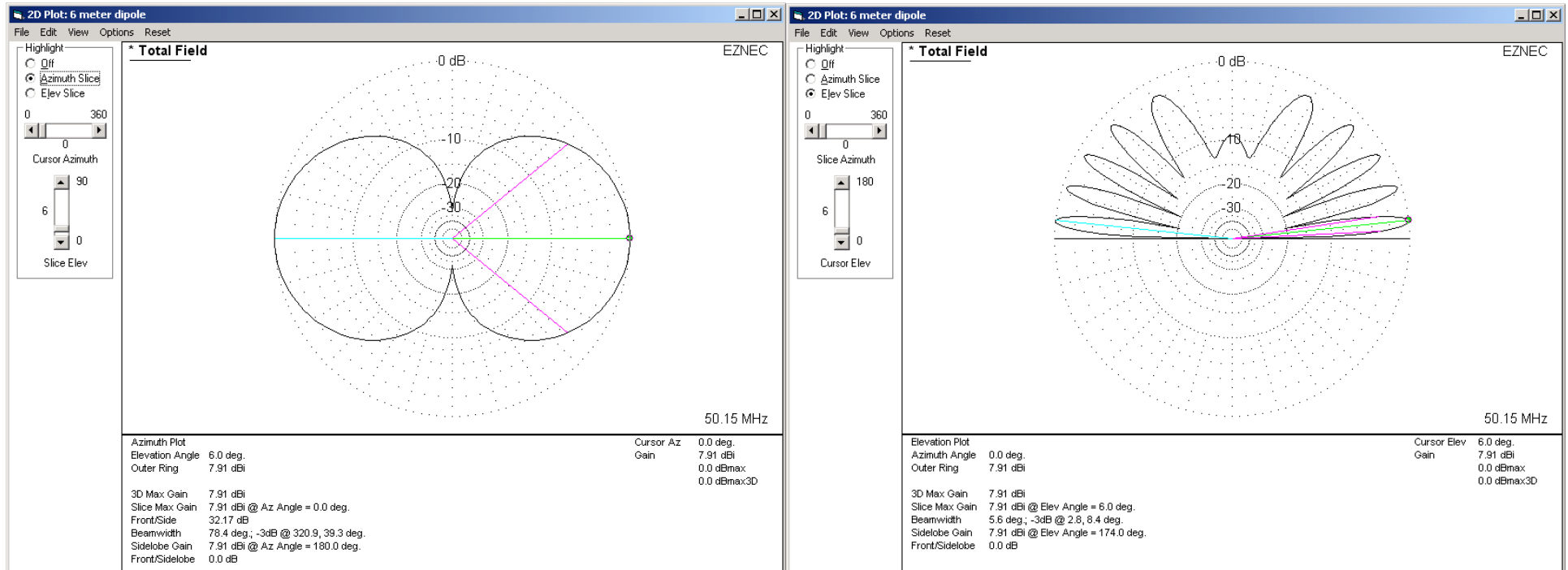
JM1TUY

JR1BVU

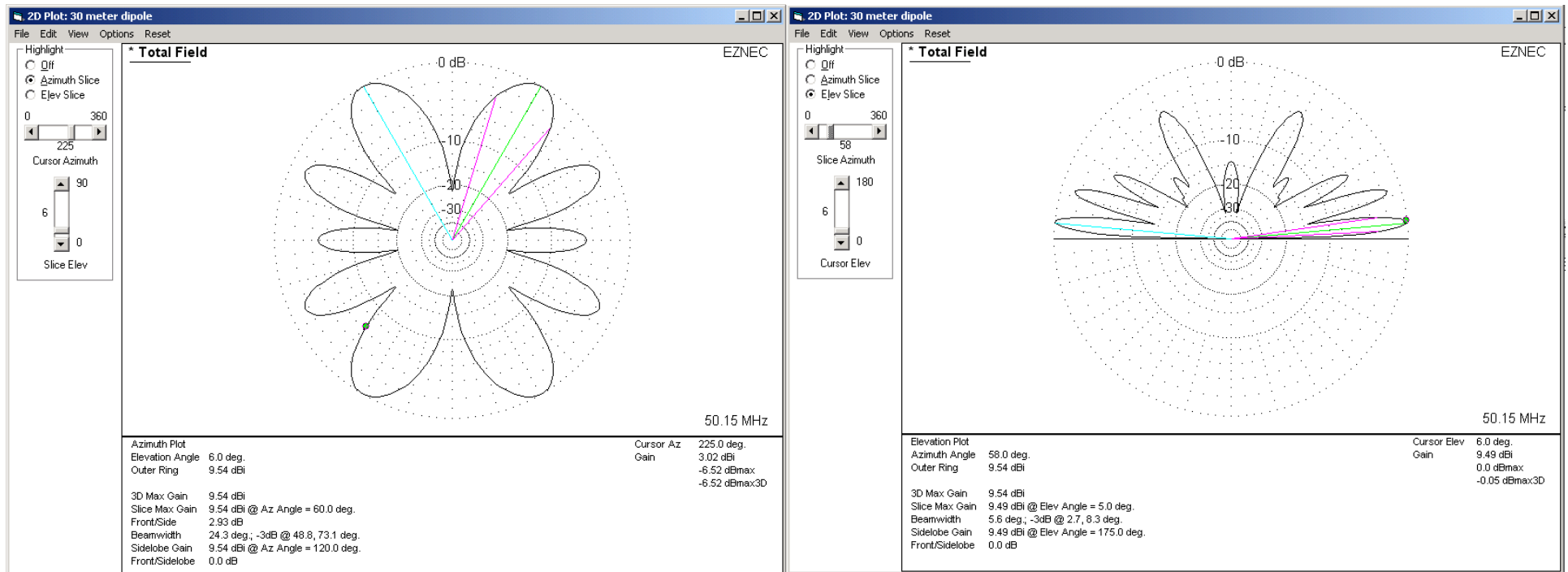
JR2HCB

JS2LMI

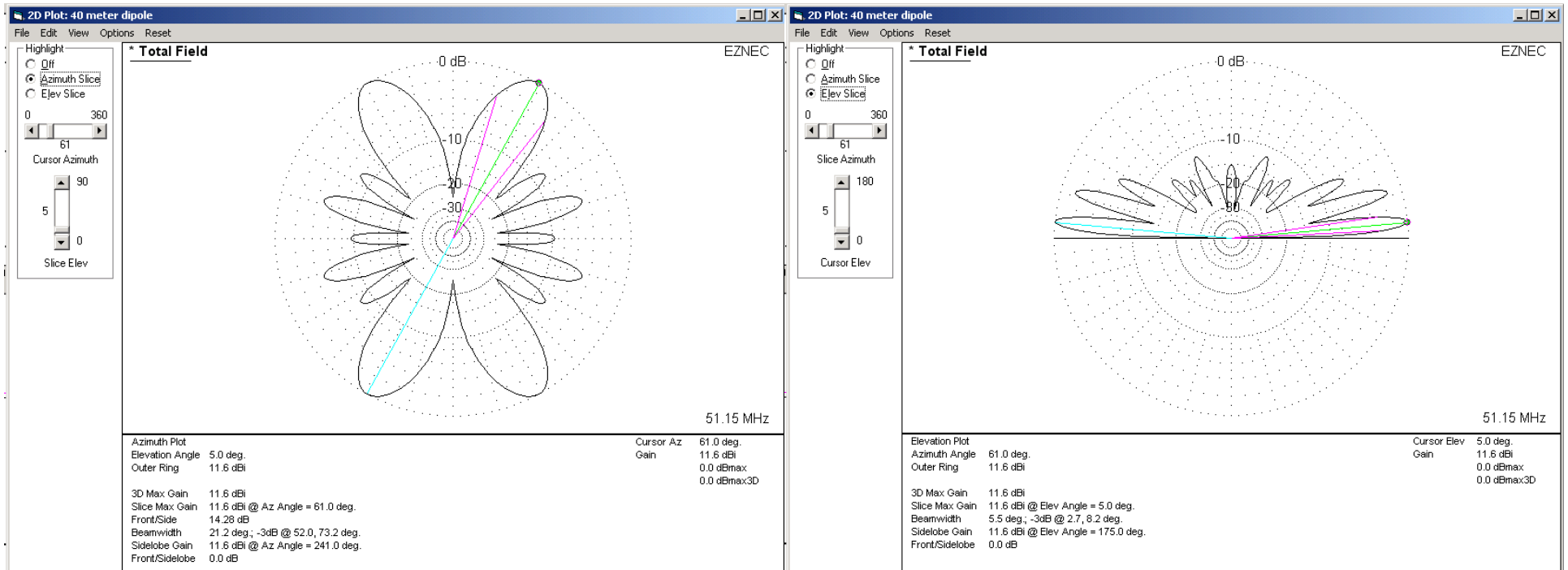
6m Dipole at 50'



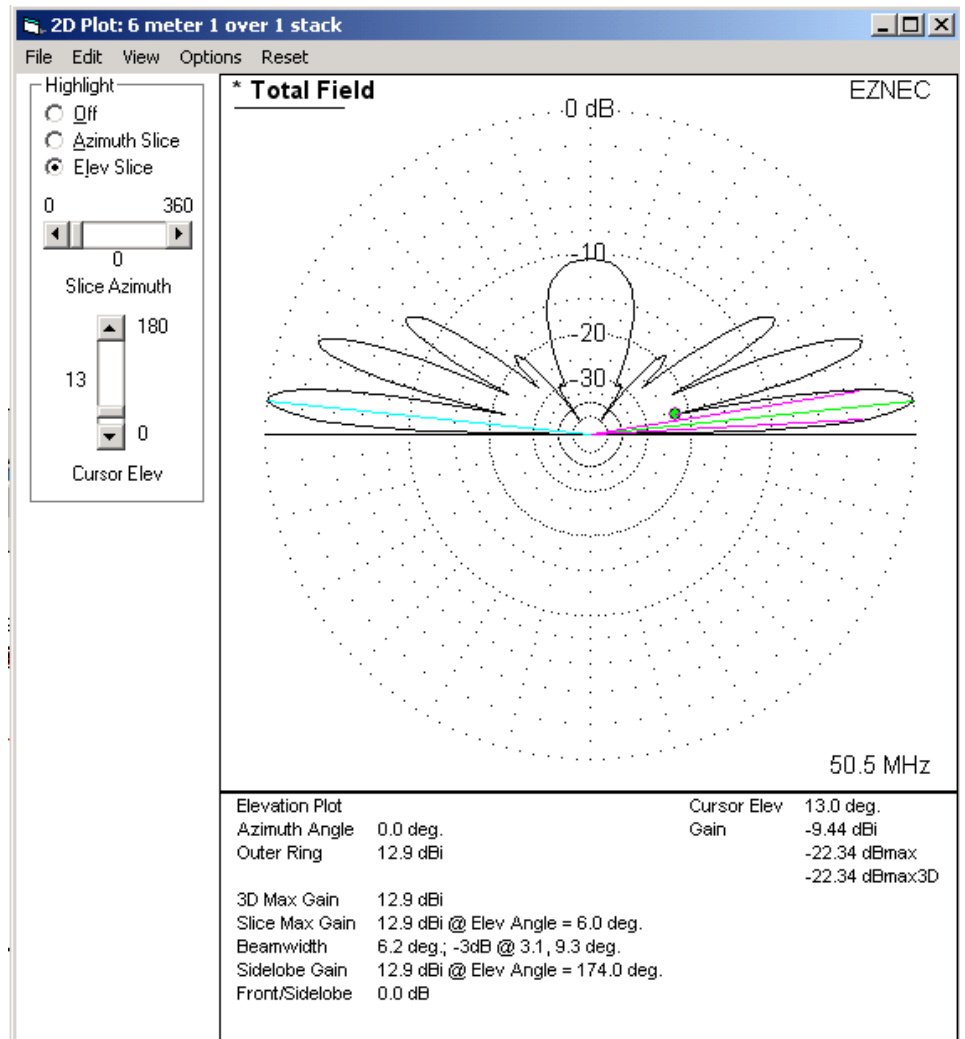
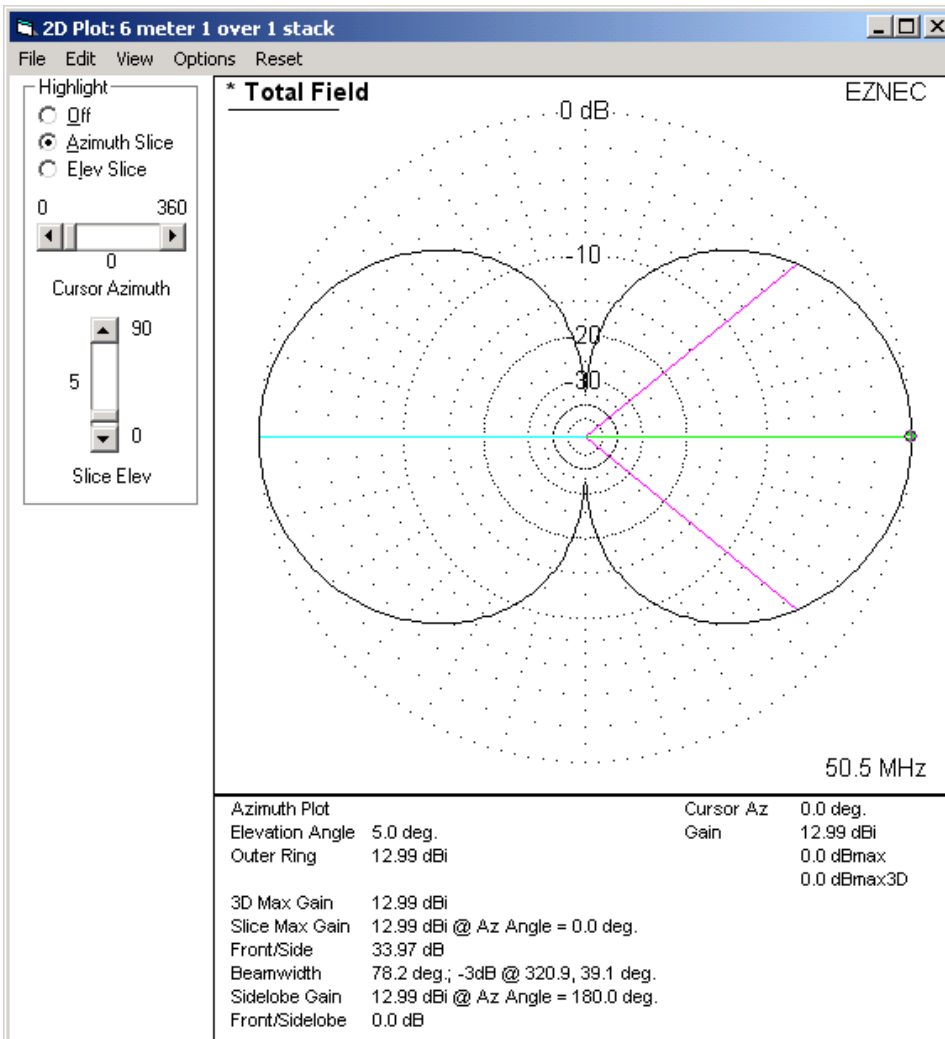
30m Dipole at 50' at 50.5 MHz



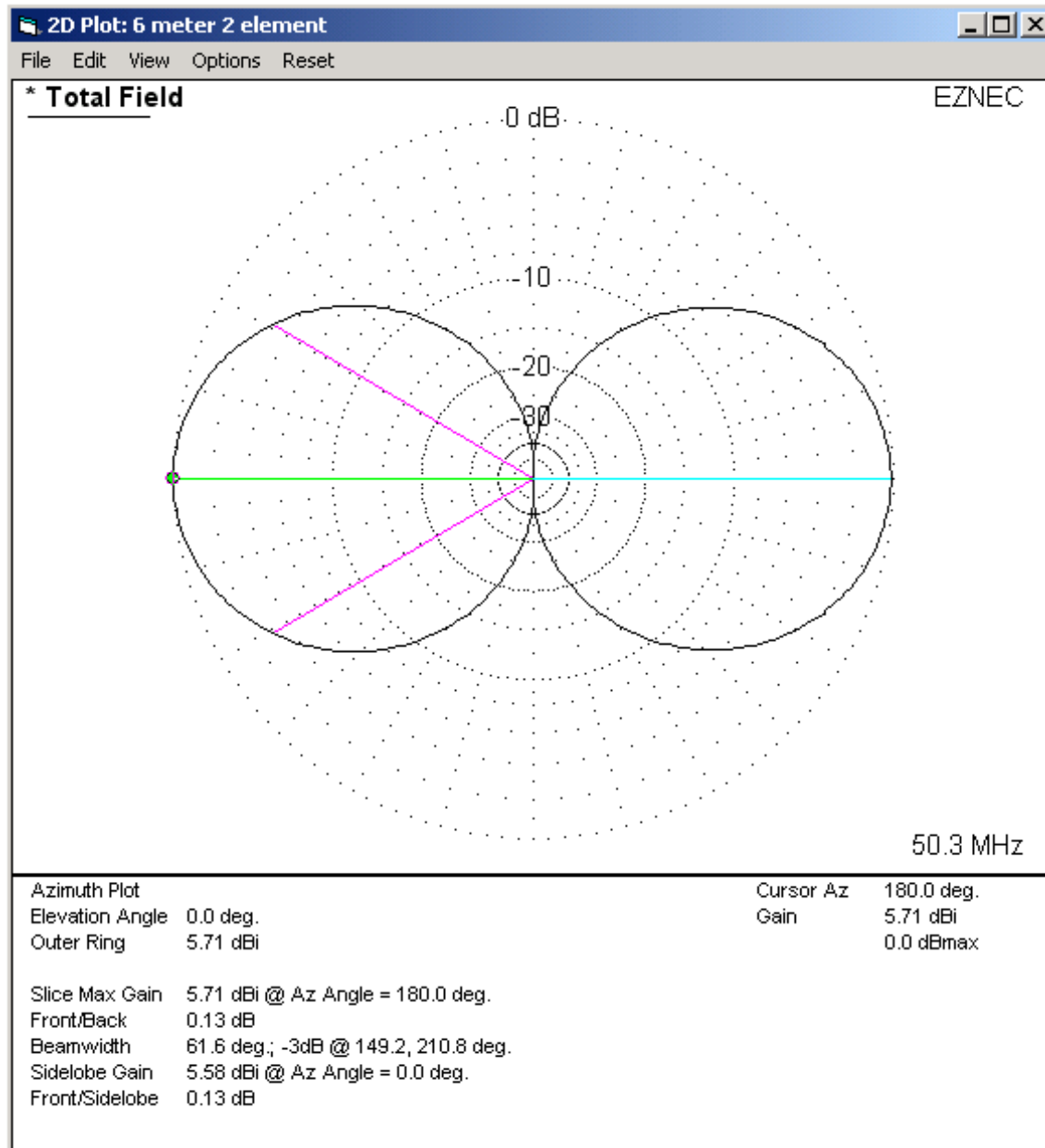
40m Dipole at 50' at 50.5 MHz



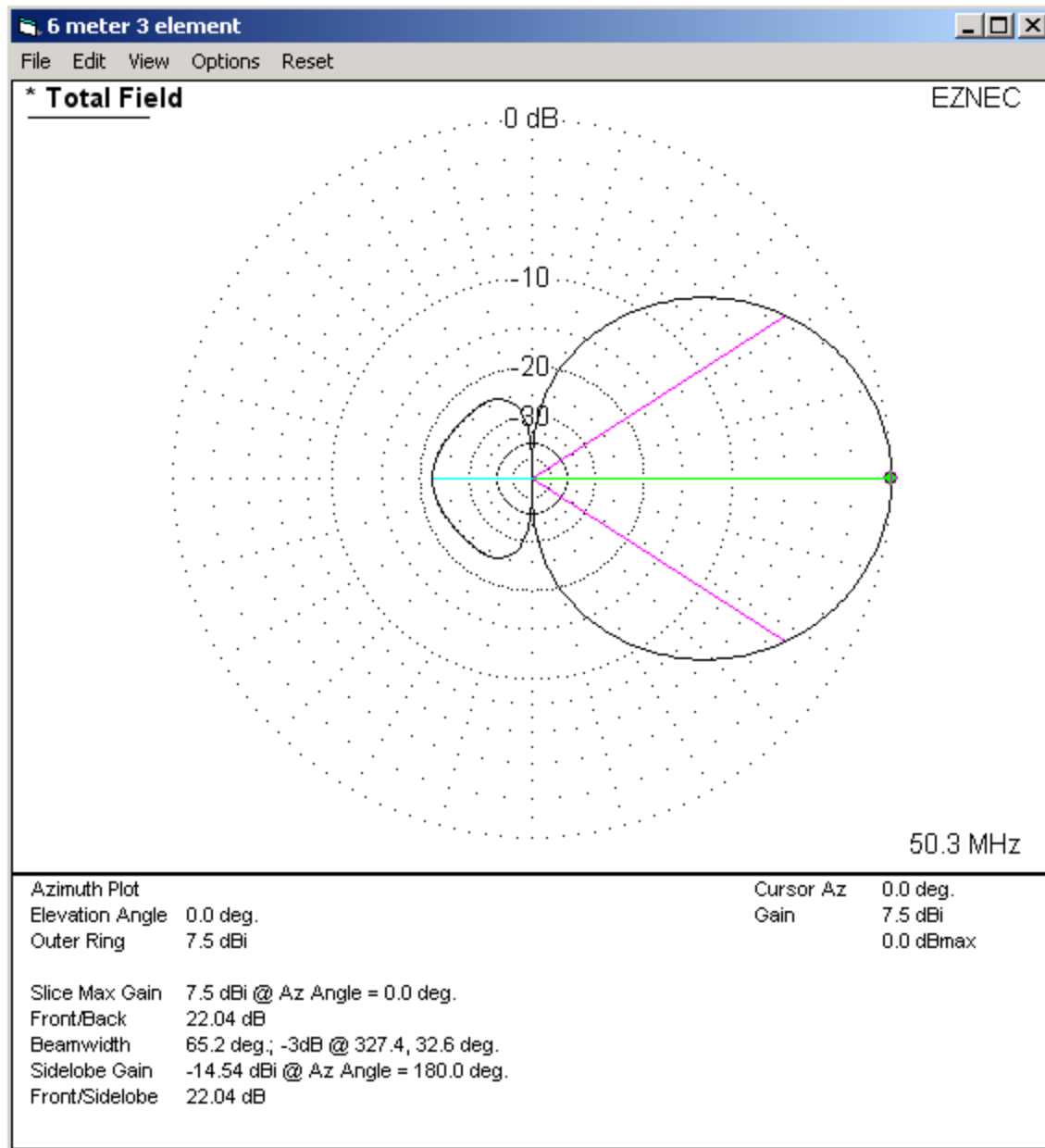
Stacked 6m Dipoles at 50'



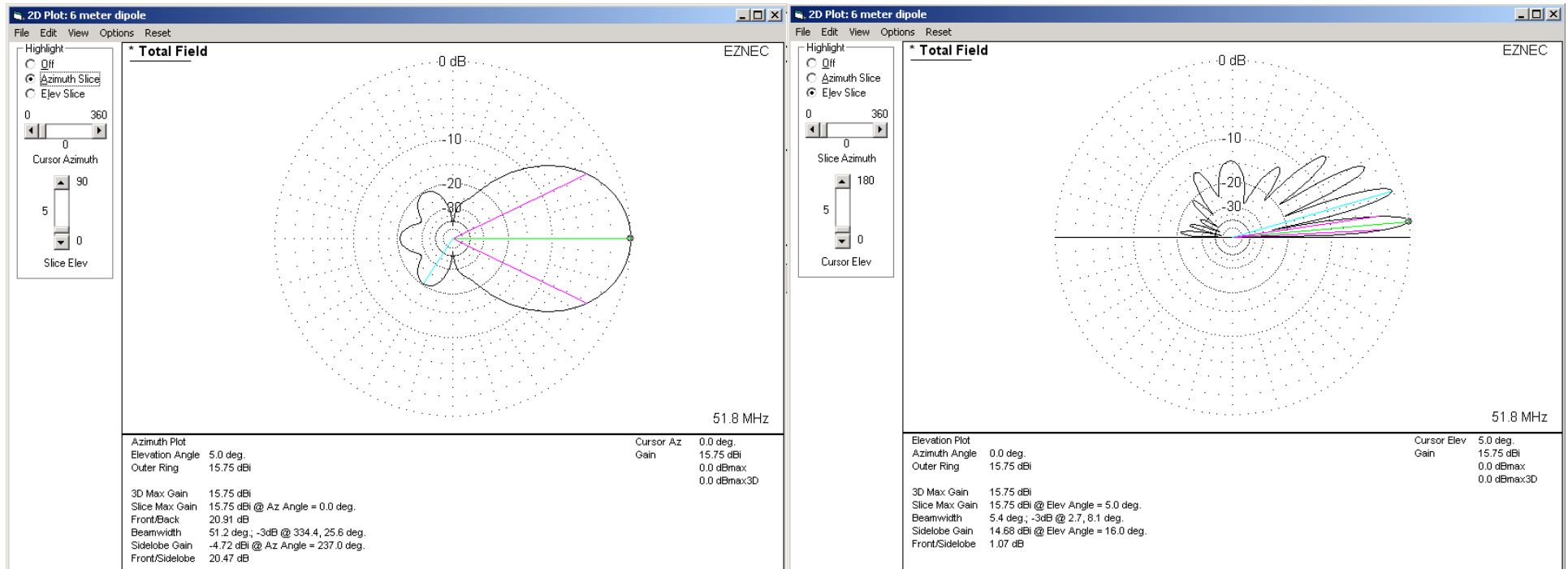
2L Bidirectional Yagi – 50.3 MHz



3L Bidirectional Yagi – 50.3 MHz

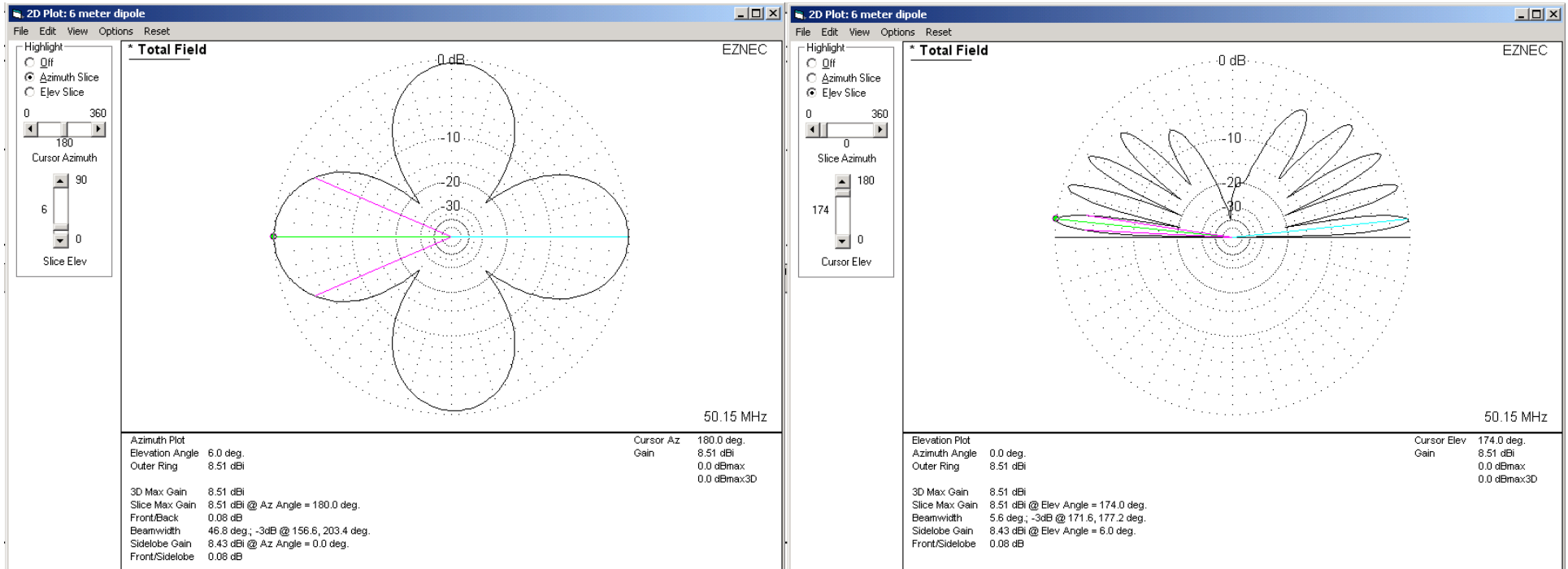


5 Element 6 m 12' Boom Yagi at 50'



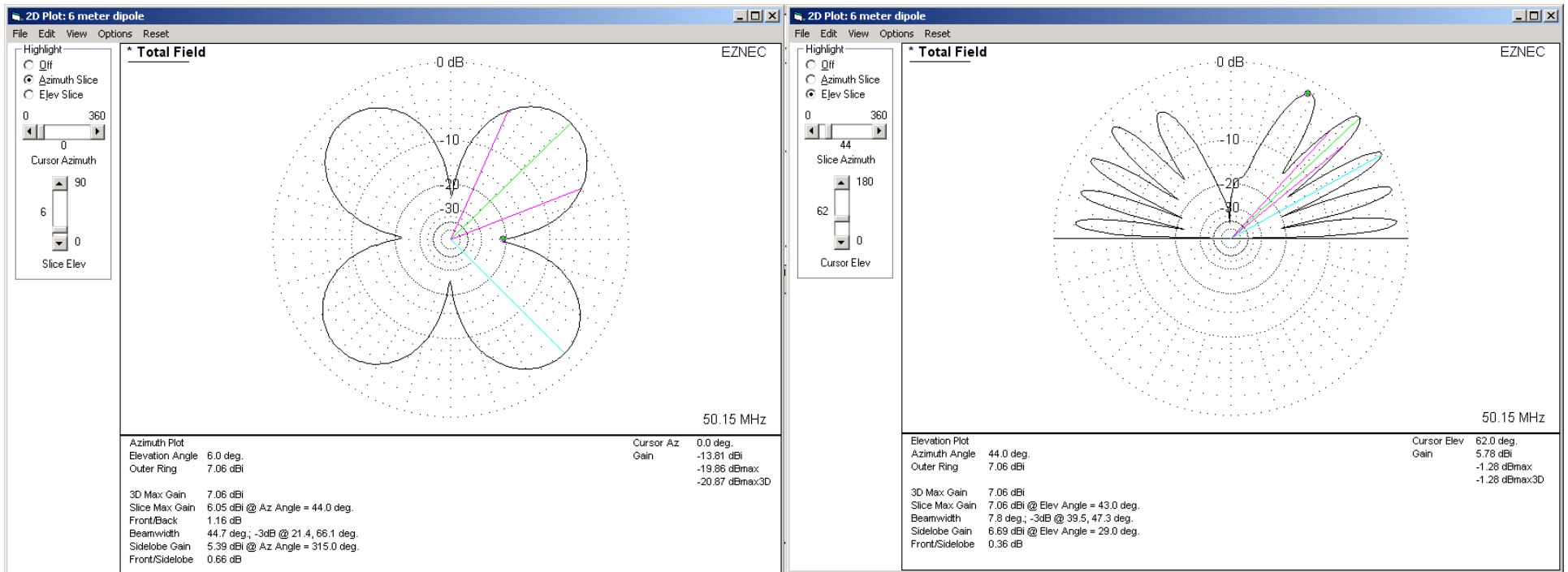
2λ Horizontal Loop

Center Fed



2λ Horizontal Loop

Corner Fed



N4KG 6 Meter DX

100 Watts 2L NE + 20M Dipole

- All states except KY, MS, ID, OR
- VE1, 2, 3, 4
- C6APR
- CO2FN
- CO2OJ
- CO8DM
- CO8LY
- CT1EAT
- CT1HZE
- EA7KW
- EB8CME
- EH8BPX
- F8DBF
- FM5JC
- KP4SQ
- P43JB
- XE2K
- XE3ARV
- XE3ISS



AG4W's 2L6 + 6L2

